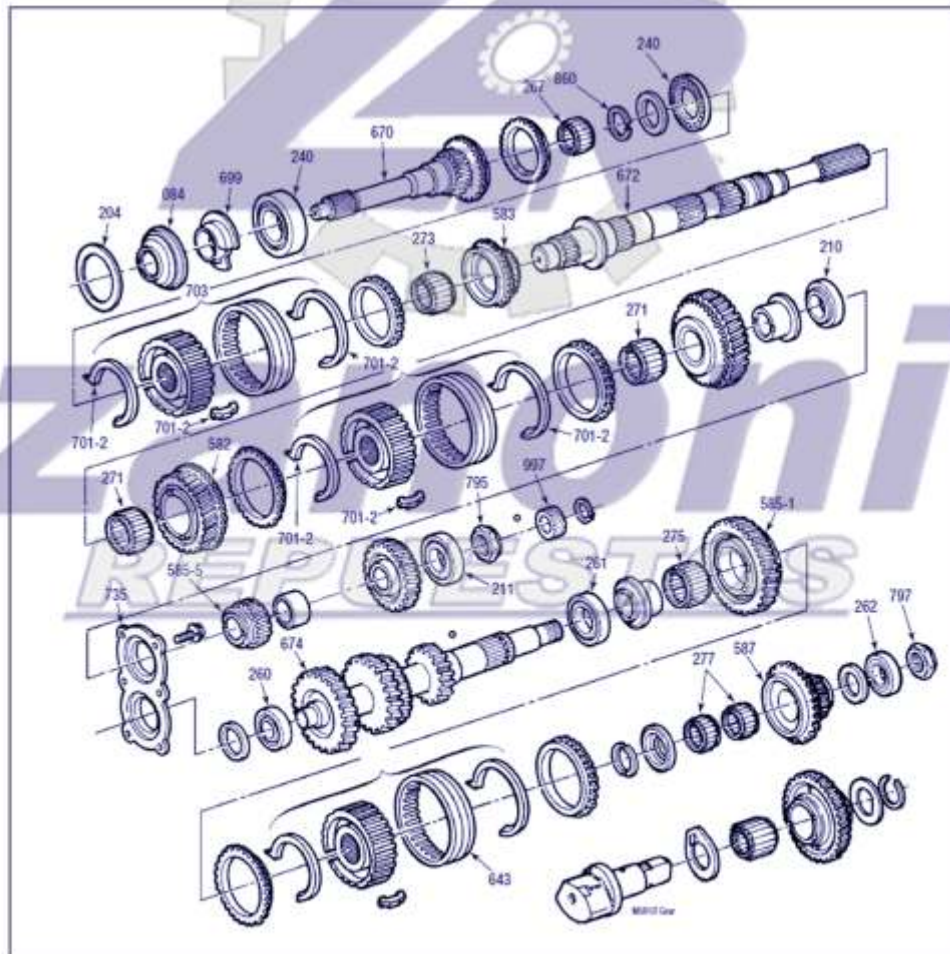
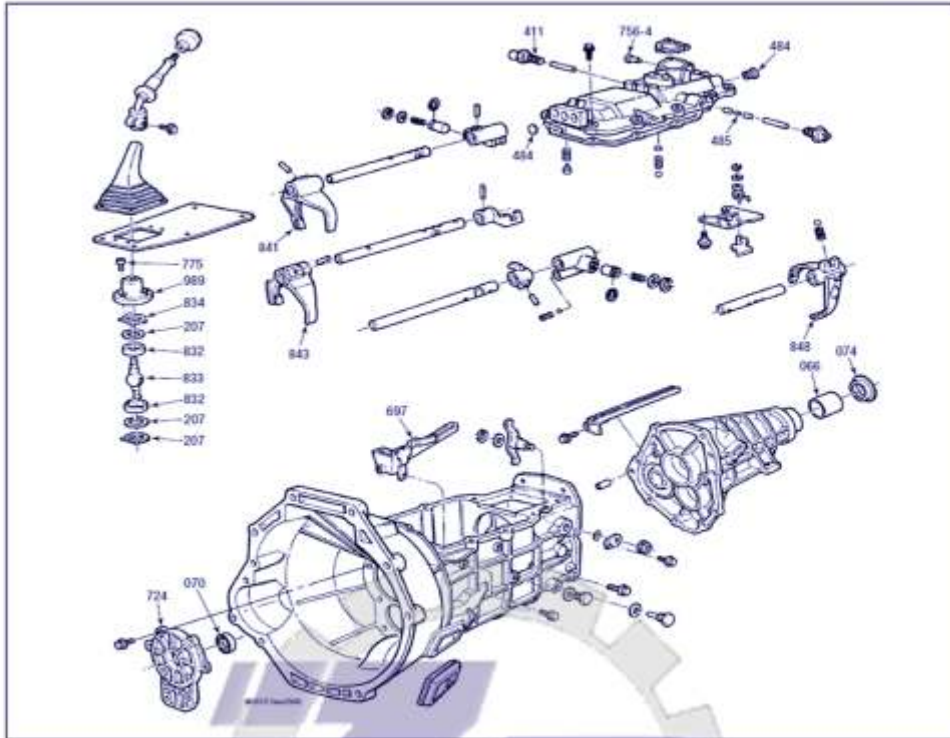


# F100-RANGER-EXPLORER "MAZDA"



M5R1, M5R2

Ford Mazda



# RANGER-EXPLORER "CAJA MAZDA"



Description	Part	Reference
<b>Bearing Kit Without Synchros</b>		
M5R1 (All)	BK247	
<b>Bearing Kit With Synchros &amp; Synchro Kits</b>		
M5R1 (1 piece 2nd Synchro, 30 T 5th & Reverse Synchro)	BK247AWS	SRK247A
M5R1 (1 piece 2nd Synchro, 36 T 5th & Reverse Synchro)	BK247WS	SRK247
M5R1 (3 piece 2nd Synchro)	BK247BWS	N/A
<b>Gasket &amp; Seal Kits</b>		
M5R1	306002	G50DB
<b>Seals</b>		
070 Seal, Front	336070	10640
074 Seal, Rear (2wd)	476074	2245
074 Seal, Rear (4wd)	372074	E8TZ7052D
084 Seal, Baffle	306084	E8TZ7040A
<b>Bushings</b>		
066 Bushing, Tail Housing (2wd)	306066	M5R1-62
<b>Bearings</b>		
211 Main Shaft Bearing (Rear)	306211	6207/33
210 Main Shaft Bearing	306210	30207
260 Counter Shaft Bearing (Front)	306260	NJ2205
261 Counter Shaft Bearing (Center)	306261-1	NJ206EX
262 Counter Shaft Bearing (Rear)	476262	6304-N
267 Pocket Bearing	306267	K25/33/24
271 1st & 2nd Gear Needle Bearing	306271	E8TZ7133A
273 3rd Gear Needle Bearing	306273	M5R1-134
275 5th Gear Needle Bearing	306275	E8TZ7R130A
278 Reverse Idler Gear Needle Bearing	306278	E8TZ7E139A
240 Input Shaft Bearing	306287	30207/80
275 Synchro Thrust Bearing	306275A	AXJ39X62.3X4
277 Reverse Gear Needle	306277-1	K24/28/16.5
<b>Sliders</b>		
643 5th-Reverse Slider (30 T)	306643A	M5R1-15A
643 5th-Reverse Slider (36 T)	306643	E8TZ7183C
<b>Synchronizer Kits</b>		
M5R1 (1 piece 2nd Synchro, 30 T 5th & Reverse Synchro)	SRK247A	
M5R1 (1 piece 2nd Synchro, 36 T 5th & Reverse Synchro)	SRK247	
M5R1 (3 piece 2nd Synchro)	N/A	
<b>Synchronizer Components</b>		
701-2 1-2 Synchro Key & Spring Kit	306701-2K	M5R1-K3
703 3-4 Synchro Assembly (Complete)	306703K	M5R1-2.5A
703-1 3-4 Synchro Assembly (Slider & Hub Only)	306703-1K	M5R1-2.5
701-2 3-4 Synchro Key & Spring Kit	306701-2K	M5R1-K3
<b>Forks</b>		
841 1-2 Fork	306841	M5R1-23
843 3-4 Fork	306843	M5R1-23A
<b>Gears (2nd, 3rd, 5th)</b>		
582 2nd Gear (32 T)	306582	M5R1-21
582 2nd Gear (31 T)	306582A	M5R1-21A
583 3rd Gear (27 T)	306583A	M5R1-11A
583 3rd Gear (29 T)	306583	M5R1-11
585-5 5th Gear (Main Shaft) w/ spacer #146 (87-00)	306585-2	M5R1-18A
585-1 5th Gear (Counter Shaft) (01-Up)	306585-1	M5R1-19A

# RANGER-EXPLORER "CAJA MAZDA"



Description		Part	Reference
<b>Gears</b>			
582	2nd Gear (32 T)	306582	M5R1-21
582	2nd Gear (31 T)	306582A	M5R1-21A
583	3rd Gear (27 T)	306583A	M5R1-11A
583	3rd Gear (29 T)	306583	M5R1-11
585-5	5th Gear (Main Shaft) w/ spacer #146 (87-00)	306585-2	M5R1-18A
585-1	5th Gear (Counter Shaft) (01-Up)	306585-1	M5R1-19A
587	Reverse Gear (87-00)	306587	M5R1-36
587	Reverse Counter Shaft Gear (01-Up)	306587A	M5R1-36A
	Reverse Kit (Gear, Slider & Synchro) (87-00)	306587K	RK-M5R1
	Reverse Kit (Gear, Slider & Synchro) (01-Up)	306587AK	RK-M5R1A
<b>Shafts</b>			
670	Input Shaft (23 T) use w/ 306674 (87-00)	306670	M5R1-16
670	Input Shaft (23 T) use w/ 306674A (01-Up)	306670A	M5R1-16A
699	Input Slinger	306699	M5R1-46A
672	Main Shaft (2wd)	306672A	M5R1-2A
672	Main Shaft (4wd)	306672	M5R1-2
674	Cluster Shaft (38-32-24-16) (87-00)	306674	M5R1-8
674	Cluster Shaft (38-34-25-17) (01-Up)	306674A	M5R1-8A
<b>Bearing Retainers</b>			
724	Front Bearing Retainer	306724	M5R1-6
<b>Shift Components</b>			
775	Shift Boot Bolts	476775K	M5R1-111
989	Shift Stick Rubber Retainer	306989	E8TZ7277A
832	Shifter Seat	306832	M5R-28A
207	Shifter Spacer Bottom w/ no Tabs (use 306834)	306834	
207	Shifter Spacer Bottom w/ tabs (use 306834)	306834	
207	Shifter Spacer w/ no tabs (use 306834)	306834	
833	Shifter Stub	306833	M5R1-105
	Shifter Stub Kit	306833K	M5R1-105K
834	Shifter Stub Spacer	306834	M5R1-109
<b>Speedometer Gears</b>			
997	Speedometer Gear (7 T) White	306997A	M5R1-151W
997	Speedometer Gear (8 T) Green	306997	M5R1-151G
<b>Miscellaneous Components</b>			
860	3-4 Synchro Assembly Snap Ring	306860	M5R1-127
411	Back Up Light Switch, Red (no wires)	306411	501209492
797	Counter Shaft Nut	476797	M5R1-167
	Front Repair Kit (87-00)	306201	FK-M5R1
	Front Repair Kit (Updated) (01-Up)	306201A	FK-M5R1C
204	Input Shim Kit	306204K	M5R1-SMK
485	Interlock Pin	306485	1L2Z7235BA
795	Main Shaft Nut	306795	M5R1-149
697	Oil Trough	306697	M5R1-63
735	Rear Retainer Plate	306735	M5R1-144
756-4	Top Cover Pin	476756-4	M50-P1
484	Top Cover Plug (Front)	306484	219-1135
484	Top Cover Plugs, Steel (Rear)	476484	555-108

# F100- "CAJA MAZDA"



## M5R2

Description		Part	Reference
<b>Bearing Kit Without Synchros</b>		<b>Bearing Kit</b>	
	M5R2	BK248	
	RKE (Mazda Design)	BK248B	
<b>Bearing Kit With Synchros &amp; Synchro Kits</b>		<b>Bearing Kit</b>	<b>Synchro Kit</b>
	M5R2 (1 piece Synchros, 33 T 5th & Reverse Synchro)	BK248AWS	SRK248A
	M5R2 (1 piece Synchros, 42 T 5th & Reverse Synchro)	BK248WS	SRK248
	M5R2 (3 piece 2nd Synchro)	BK248CWS	SRK248C
	RKE (Mazda Design)	BK248BWS	SRK248B
<b>Gasket &amp; Seal Kits</b>			
	M5R2	476002	G50DA
<b>Seals</b>			
070	Seal, Front	476070	1673
074	Seal, Rear (2wd)	476074	2245
074	Seal, Rear (4wd)	476074A	14017
084	Seal, Baffle	476084	3421
<b>Bushings</b>			
066	Bushing, Tail Housing (2wd)	306066	M5R1-62
<b>Bearings</b>			
210	Main Shaft Bearing (Center)	476212	R40-38
211	Main Shaft Bearing (Rear)	476211	6208/37
240	Input Bearing	476240A	R392-2
240	Input Needle Thrust Bearing	476240	AXJ42X589X37
260	Counter Shaft Bearing (Front)	476260	05NJ0620
261	Counter Shaft Bearing (Center)	476261	NJK207
262	Counter Shaft Bearing (Rear)	476262	6304-N
267	Pocket Bearing	476267	K31/42/24
271	1st Gear Needle Bearing	306271	E8TZ7133A
271	2nd Gear Needle Bearing	306271	E8TZ7133A
273	3rd Gear Needle Bearing	476273	E8TZ7127B
275	5th Gear Needle Bearing	306275	E8TZ7R130A
277	Reverse Gear Needle	476277-1	K25/30/20S
<b>Sliders</b>			
643	5th-Reverse Slider (33 Spline) (96-Up)	476643A	M5R2-15A
643	5th-Reverse Slider (42 Spline) (87-95)	476643	M5R2-15
<b>Synchronizer Kits</b>			
	M5R2 (1 piece Synchros, 33 T 5th & Reverse Synchro)	SRK248A	
	M5R2 (1 piece Synchros, 42 T 5th & Reverse Synchro)	SRK248	
	M5R2 (3 piece 2nd Synchro)	SRK248C	
	RKE (Mazda Design)	SRK248B	
<b>Synchronizer Components</b>			
	1-2 Synchro Key & Spring Kit	476701-2K	M5R2-K3
703	3-4 Synchro Assembly (Complete)	476703K	M5R2-2.5A
703-1	3-4 Synchro Assembly (Slider & Hub Only)	476703-1K	M5R2-2.5
	3-4 Synchro Key & Spring Kit	476701-2K	M5R2-K3
<b>Forks</b>			
841	1-2 Fork (87-95)	476841	M5R2-23
841	1-2 Fork (96-Up)	476841A	M5R2-23AA
843	3-4 Fork (87-95)	476843	M5R2-23A
843	3-4 Fork (96-Up)	476843A	M5R2-23AB
848	5th-Reverse Fork (Retrofits)	476848	F1TZ7289C

# F100- "CAJA MAZDA"



Description		Part	Reference
<b>Forks</b>			
841	1-2 Fork (87-95)	476841	M5R2-23
841	1-2 Fork (96-Up)	476841A	M5R2-23AA
843	3-4 Fork (87-95)	476843	M5R2-23A
843	3-4 Fork (96-Up)	476843A	M5R2-23AB
848	5th-Reverse Fork (Retrofits)	476848	F1T27289C
<b>Gears</b>			
583	3rd Gear (30 T)	476583	M5R2-11
585-1	5th Gear Counter Shaft (87-95) (42 T Synchro)	476585-1	M5R2-19
585-1	5th Gear Counter Shaft (96-Up)	476585-1A	M5R2-19A
585-5	Main Shaft 5th Gear (27 T)	476585-2	M5R2-18
	Reverse Kit w/ Gear, Slider & Ring (87-95) (42 T Synchro)	476587K	RK-M5R2
	Reverse Kit w/ Gear, Slider & Ring (96-Up)	476587AK	RK-M5R2A
587	Reverse Gear Counter Shaft (15 T & 42 T Synchro) (87-95)	476587	M5R2-36
587	Reverse Gear Counter Shaft (15 T) (96-Up)	476587A	M5R2-36A
<b>Shafts</b>			
670	Input Shaft (11") (87-95)	476670	M5R2-16
670	Input Shaft (11 3/8") (96-Up)	476670A	M5R2-16A
672	Main Shaft (4wd)	476672	M5R2-2
674	Cluster Shaft (37-31-24-15)	476674	M5R2-8
699	Input Slinger	476699	M5R2-46B
<b>Bearing Retainers</b>			
735	Rear Retainer Plate	476735	M5R2-144
<b>Shift Components</b>			
833	Shifter Stub	476833	M5R2-105
833	Shifter Stub Kit (includes Retainer, 3 Bolts, 2 Washers, 2 Donuts)	476833K	M5R2-105K
775	Shift Boot Bolts	476775K	M5R1-111
832	Shifter Seat	306832	M5R-28A
989	Shift Stick Rubber Retainer	306989	E8T27277A
<b>Miscellaneous Components</b>			
797	Counter Shaft Nut	476797	M5R1-167
	Front Retainer & Case Repair Kit	476735K	FK-M5R2
204	Input Shim Kit	476204K	M5R2-SMK
485	Interlock Pin	306485	1L2Z7235BA
795	Main Shaft Nut	476795	M5R2-149
697	Oil Trough	476697	M5R2-63
756-4	Top Cover Pin	476756-4	M50-P1
484	Top Cover Plug (Front)	306484	219-1135
484	Top Cover Plug (Rear) (Steel)	476484	555-108

**Zanoni**  
**REPUESTOS**